

580 GALVANİZ TABANLI SABİT PABUÇ

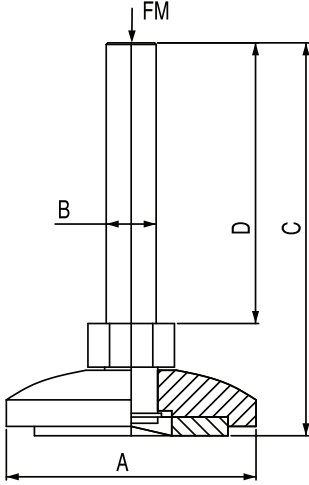
ZINC PLATED STEEL BASE-SPINDLE (WITH SNAP RING) FIX FEET


Taban/Base: Çinko Kaplama Metal/Metal Zinc Plated Steel

ZN

Saplama/Spindle: Çinko Kaplama Metal/Metal Zinc Plated Steel

ZN



Stok Kod Stock Code	A	B	C	D	Kg	FM N (Newton)	
580 801 610	80	M16	103	65	0,700	18000	50
580 801 615	80	M16	153	115	0,780	18000	50
580 801 621	80	M16	203	165	0,860	18000	50
580 101 610	100	M16	103	65	0,865	20000	40
580 101 615	100	M16	153	115	0,940	20000	25
581 101 621	100	M16	203	165	1,020	20000	20
580 102 010	100	M20	100	115	1,030	20000	40
580 102 015	100	M20	150	165	1,150	20000	20
580 121 610	120	M16	103	65	1,030	25000	30
580 121 615	120	M16	153	115	1,110	25000	20
580 121 621	120	M16	203	165	1,190	25000	10
580 122 015	120	M20	153	115	1,200	25000	20
580 122 021	120	M20	203	165	1,320	25000	10
580 122 415	120	M24	153	115	1,275	27000	20
580 122 421	120	M24	203	165	1,475	27000	10

